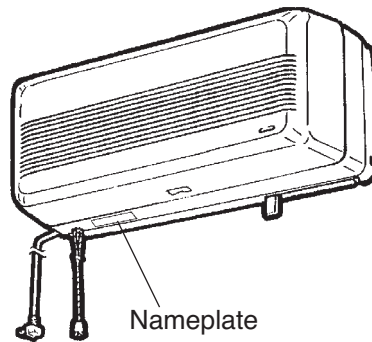


LOSSNAY

PARTS CATALOG

FOR DEALERS

Model: VL-100U-E



Repair work should be performed by the manufacturer, its service agent or similarly qualified person in order to avoid hazards.

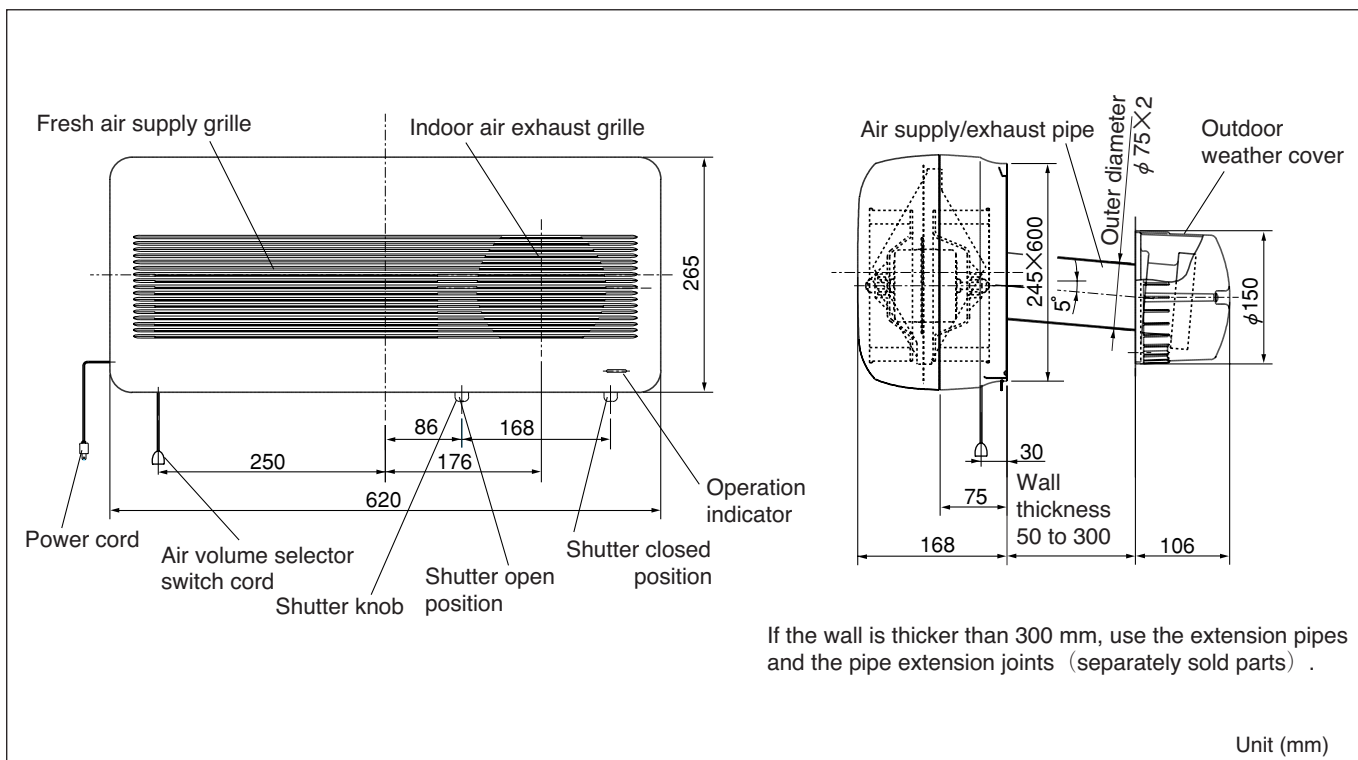
Contents	
1. Specifications	2
2. Dimensions	2
3. Wiring diagram	2
4. Parts list	3-7

1. Specifications

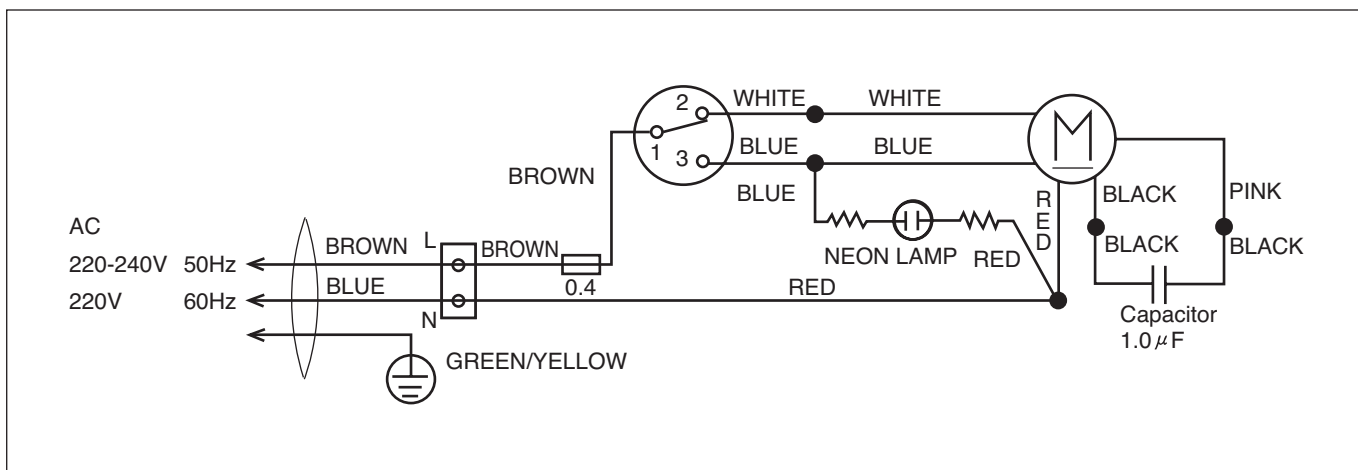
Model	Notch	Power supply		Power consumption (W)	Air volume (m ³ /h)	Temperature exchange efficiency (%)	Noise (3 points ave.) (dB)	Weight (kg)
		Voltage (V)	Frequency (Hz)					
VL-100U-E	Hi	220-240	50	26	105	70	39	6.5
	Lo			23	65	77	29.5	
	Hi	220	60	26	90	73	37	
	Lo			21	50	80	26	

* The testing method of the air volume and noise values are based on Japanese Industrial Standards C 9603.

2. Dimensions

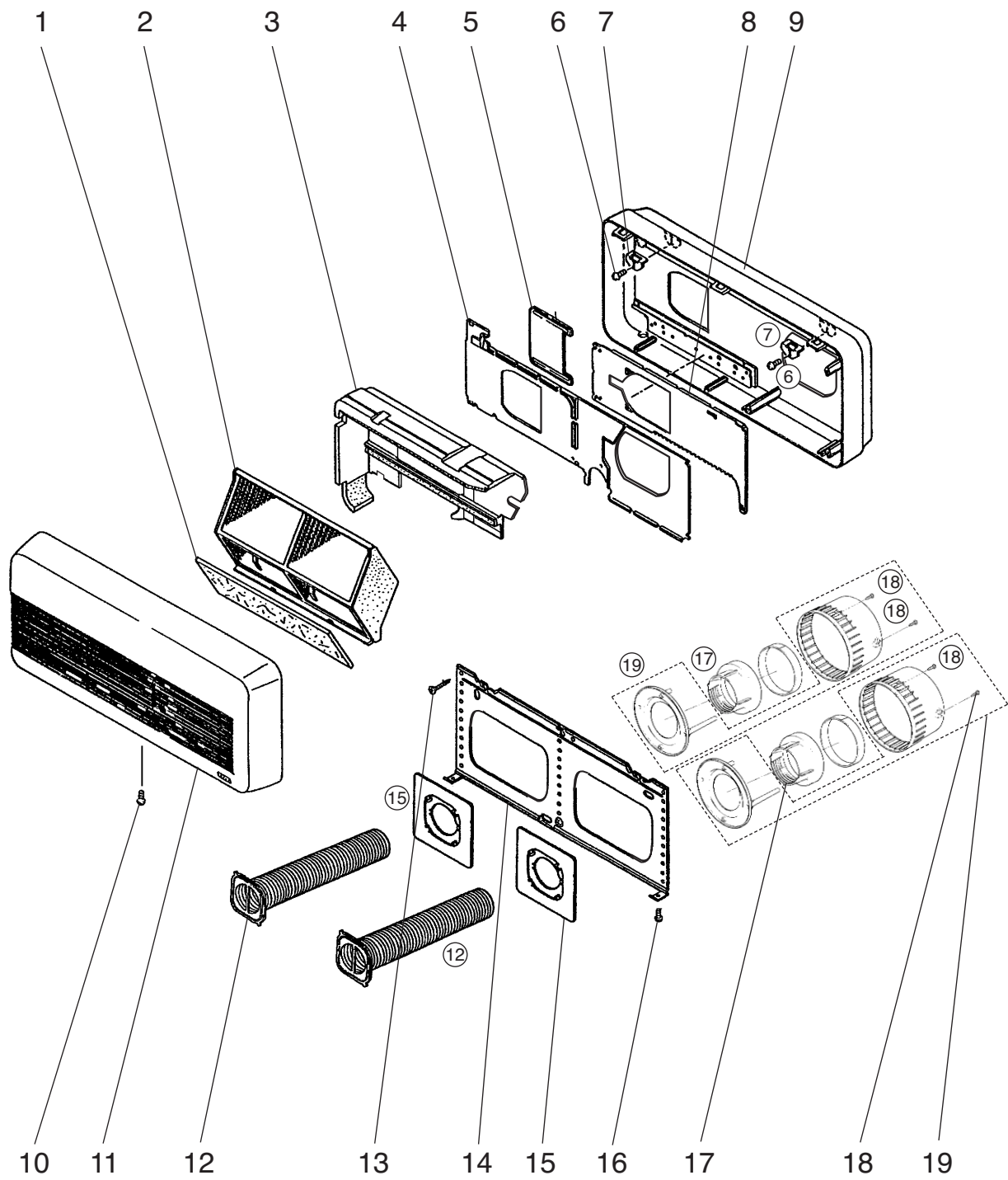


3. Wiring diagram



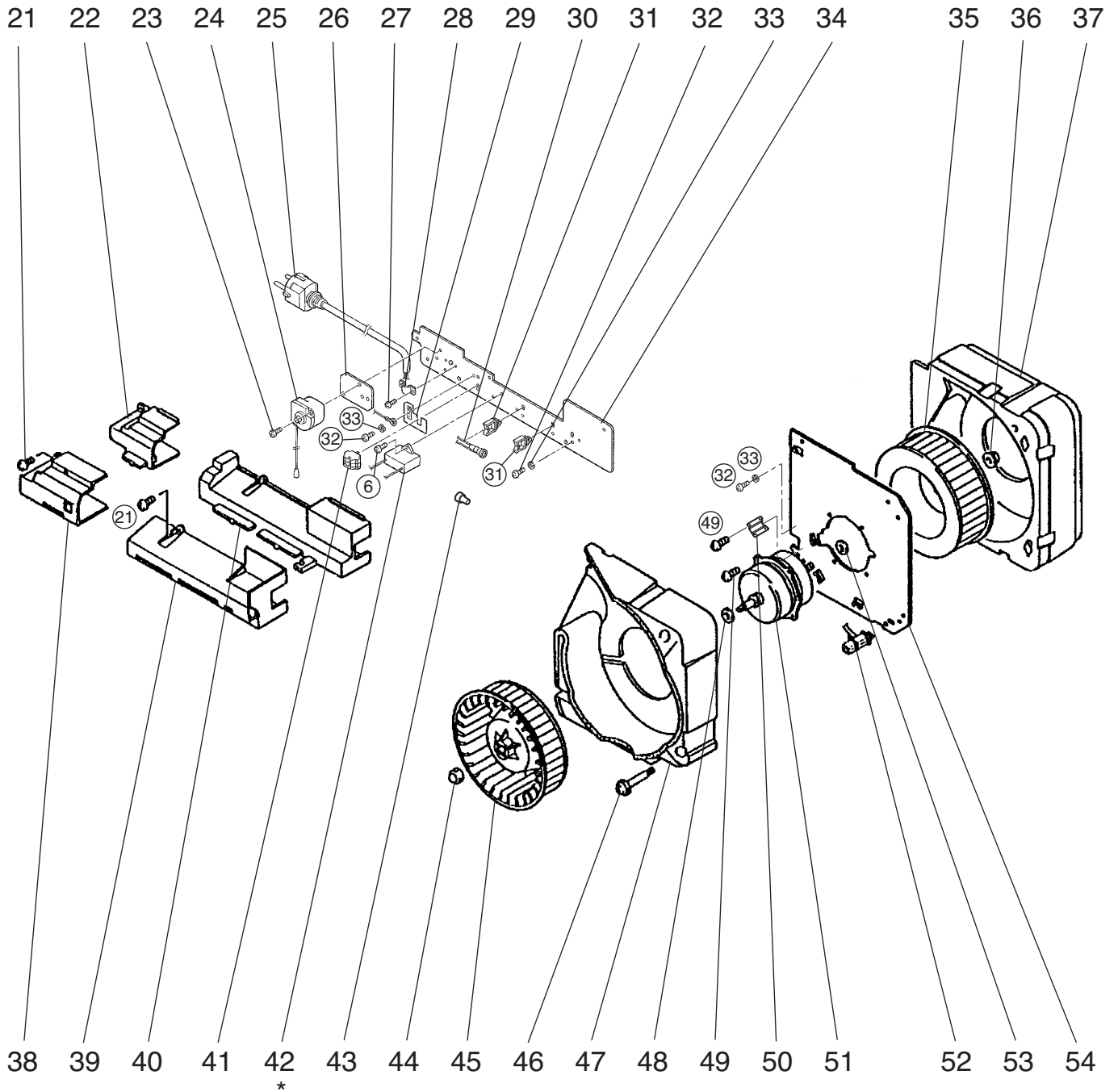
Model VL-100U-E

No.	Parts No.	Name of part	Q'ty pcs/unit	Critical for safety	Remarks	Price
1.	M36 067 717	Air filter	1	▲		
2.	M36 067 715	Lossnay core	1	▲		
3.	Y31 108 720	Chamber	1			
4.	M36 100 710	Shutter cover	1			
5.	M36 067 642	Shutter(A)	1			
6.	H00 000 487	PTT screw 4×8	8			
7.	M34 709 345	Mounting piece	2			
8.	M36 067 641	Shutter(B)	1			
9.	Y31 108 708	Body	1			
10.	H00 000 068	PT screw 4×25	1		BLACK	
11.	Y31 108 719	Grille	1			
12.	M36 028 731	Wall sleeve	2			
13.	M34 863 045	Special screw 3.5×32	10			
14.	M36 100 709	Fix plate	1			
15.	M36 068 708	Pipe fix plate	2			
16.	M45 502 095	PTT screw 4×8	2		Black	
17.	M34 231 303	Flange nut	2			
18.	D41 037 008	PTT screw 4×12	4		SUS	
19.	Y31 061 721	Weather cover	2			



Model VL-100U-E

No.	Parts No.	Name of part	Q'ty pcs/unit	Critical for safety	Remarks	Price
21.	H00 000 488	PTT screw 4×12	8			
22.	M36 067 714	Terminal cover(A)	1			
23.	H00 000 471	PPT screw 4×10	1			
24.	Y31 108 255	Switch	1	▲		
25.	Y31 108 220	Cord	1	▲	1300mm	
26.	Y31 108 201	Pat plate	1			
27.	H00 000 676	PPT screw 3×10	2			
28.	Y31 068 223	Cord clip	1			
29.	Y31 108 355	Insulation sheet	1	▲		
30.	Y31 108 280	Fuse	1	▲	250V·0.4A	
31.	D40 094 227	Cord clip	2			
32.	H00 011 008	PTscrew 4×8(BS)	3			
33.	H00 056 075	Spring washer(4)	3			
34.	M36 067 716	Terminal fix plate	1			
35.	M36 067 480	Centrifugal fan(EA)	1	▲	φ 170	
36.	X31 000 067	Flange nut(8)	1			
37.	M36 067 725	Fan casing(SA)	1			
38.	M36 067 712	Terminal box(A)	1			
39.	M36 067 711	Terminal box(B)	1			
40.	M36 067 713	Capacitor cover	1			
41.	Y31 069 244	Terminal block	1	▲		
42.	Y31 082 283	Capacitor	1	▲	1.0 μ F·430VAC	
42.	Y81 016 283	Capacitor	1	▲	1.0 μ F·440VAC	
43.	K82 181 240	Terminal	5	▲	CE1(CE-100V)	
44.	M36 067 067	Special nut(8)	1			
45.	M36 067 481	Centrifugal fan(SA)	1	▲	φ 170	
46.	M36 017 017	Special screw	3			
47.	M36 067 707	Fan casing(EA)	1			
48.	M32 017 106	Special washer(8.5)	1			
49.	H00 000 332	PTT screw 4×10	6			
50.	M36 169 712	Lead cover	1			
51.	Y31 108 451	Motor	1	▲		
52.	Y31 108 290	Neon lamp	1	▲		
53.	M34 365 080	Special washer(8)	1			
54.	Y31 108 707	Motor fix plate	1			



*Capacitor

1. Please find "Serial No." in "Name plate" at the bottom of Lossnay.
2. Please order "Parts No." according to the following classification.
 Y31082283 for serial Nos. up to 0502550
 Y81016283 for serial Nos. 0502551 and above

